

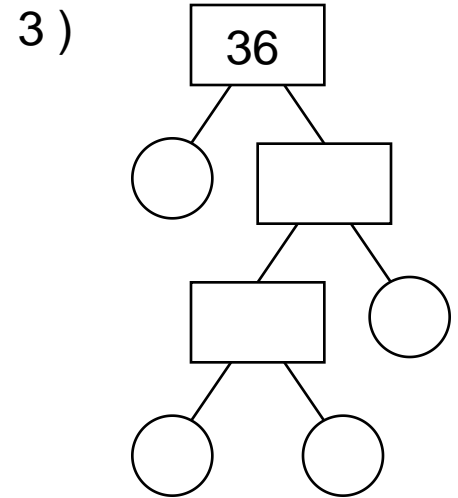
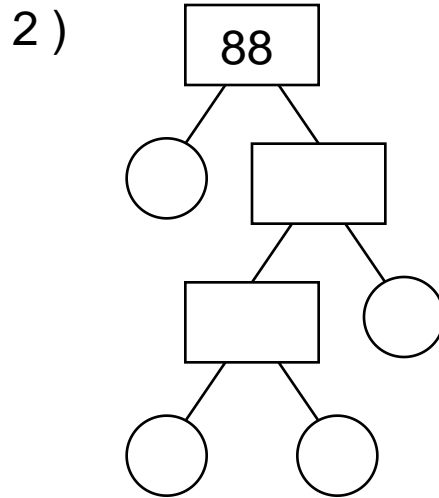
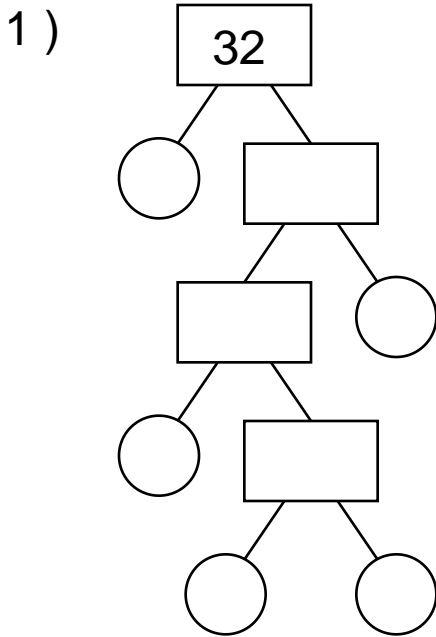
Name : _____

Score : _____

Teacher : _____

Date : _____

Find the Prime Factors of the Numbers



Prime Factors

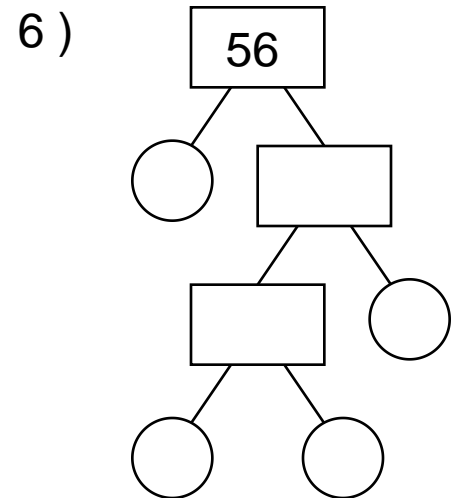
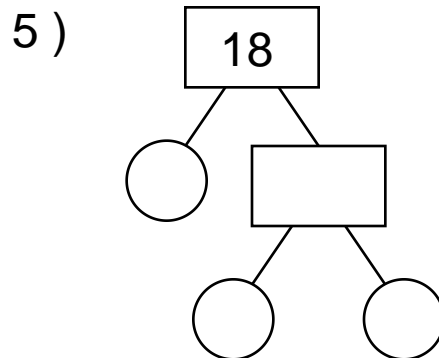
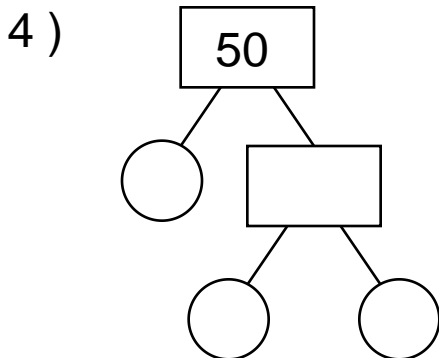
 x x x x = 32

Prime Factors

 x x x = 88

Prime Factors

 x x x = 36



Prime Factors

 x x = 50

Prime Factors

 x x = 18

Prime Factors

 x x x = 56



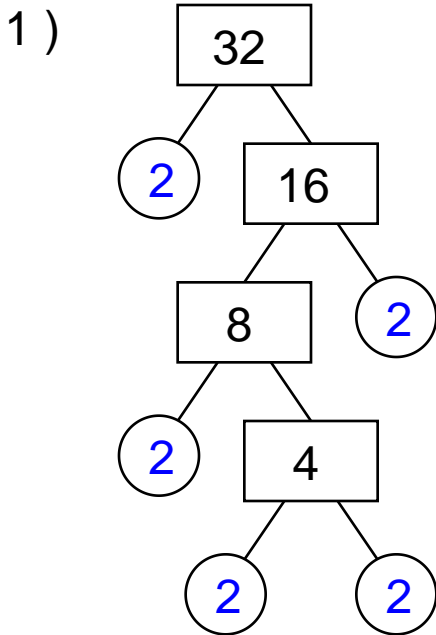
Name : _____

Score : _____

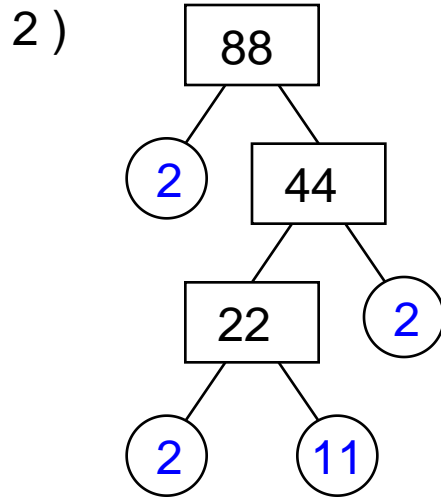
Teacher : _____

Date : _____

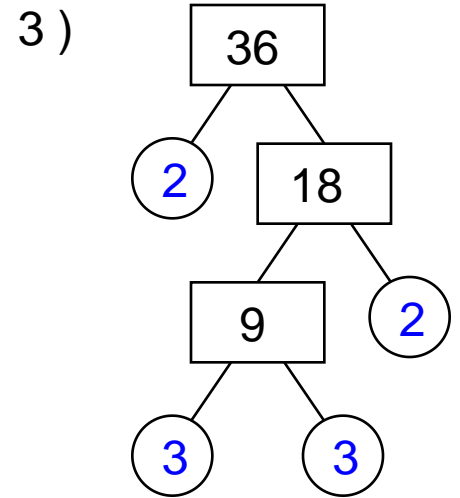
Find the Prime Factors of the Numbers



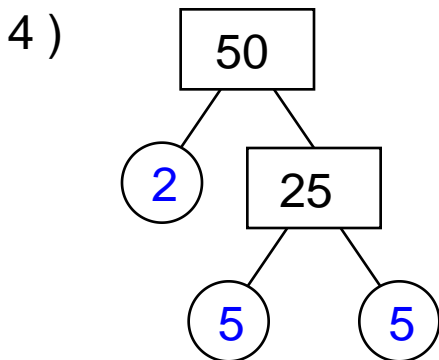
Factors
 $2 \times 2 \times 2 \times 2 \times 2 = 32$



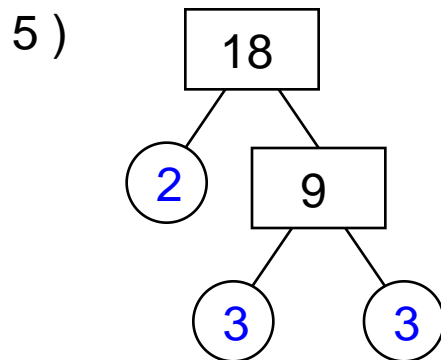
Factors
 $2 \times 2 \times 2 \times 11 = 88$



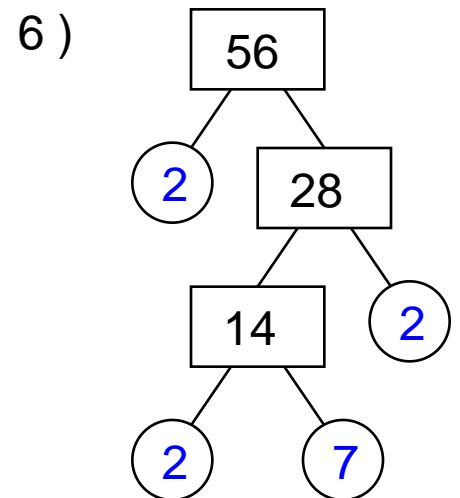
Factors
 $2 \times 2 \times 3 \times 3 = 36$



Factors
 $2 \times 5 \times 5 = 50$



Factors
 $2 \times 3 \times 3 = 18$



Factors
 $2 \times 2 \times 2 \times 7 = 56$

