

Name : _____

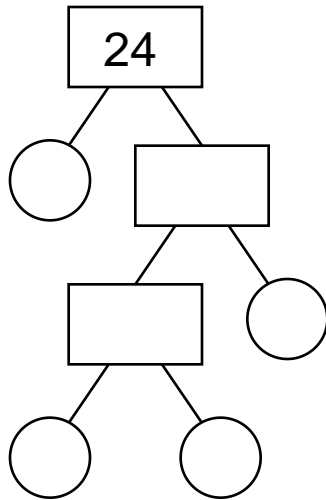
Score : _____

Teacher : _____

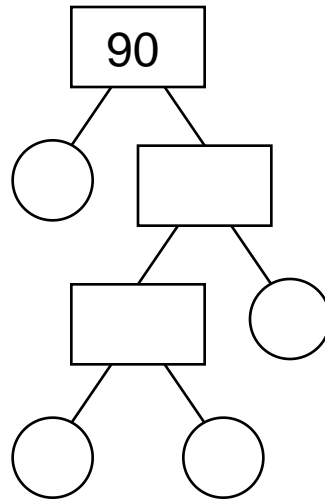
Date : _____

Find the Prime Factors of the Numbers

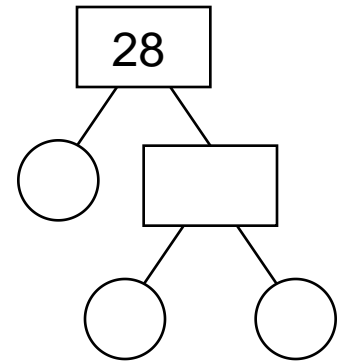
1)



2)



3)



Prime Factors

 x x x = 24

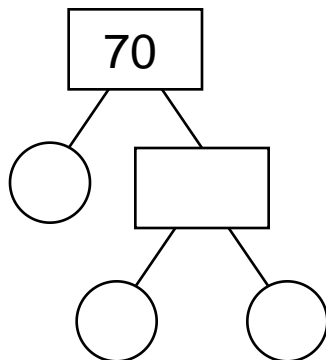
Prime Factors

 x x x = 90

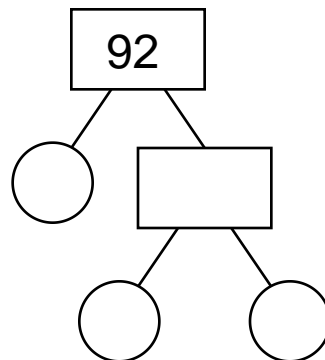
Prime Factors

 x x = 28

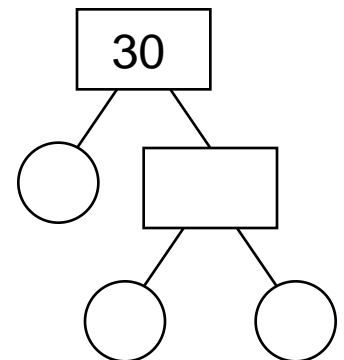
4)



5)



6)



Prime Factors

 x x = 70

Prime Factors

 x x = 92

Prime Factors

 x x = 30



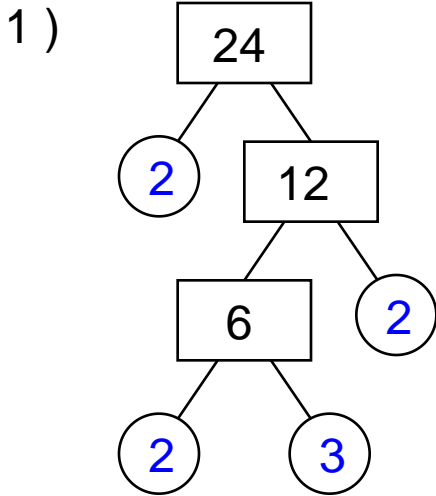
Name : _____

Score : _____

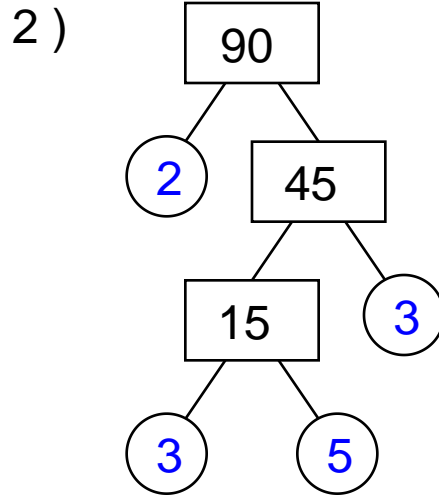
Teacher : _____

Date : _____

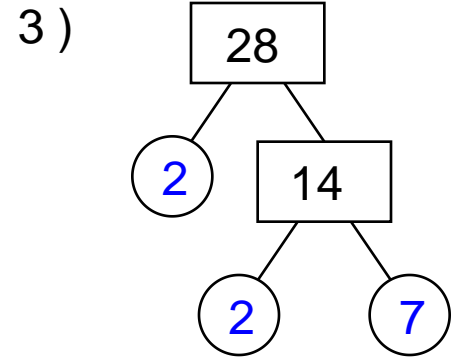
Find the Prime Factors of the Numbers



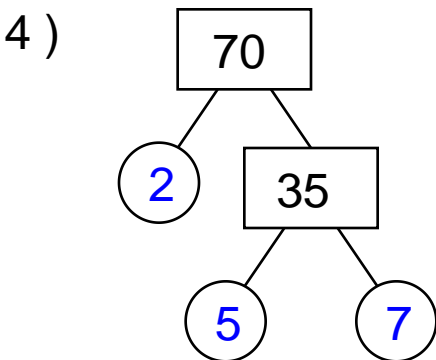
Factors
 $2 \times 2 \times 2 \times 3 = 24$



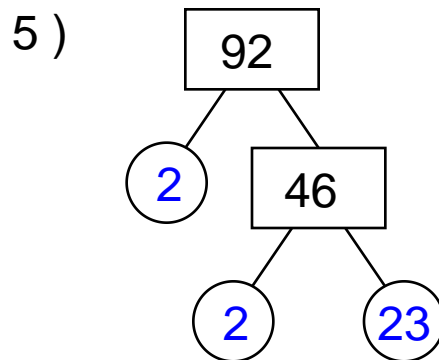
Factors
 $2 \times 3 \times 3 \times 5 = 90$



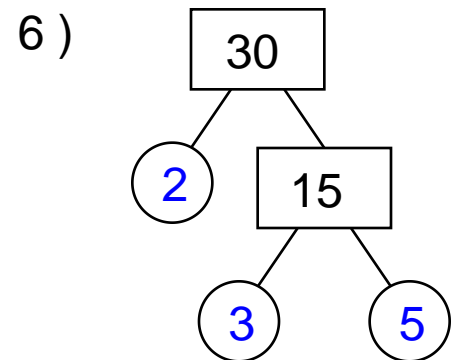
Factors
 $2 \times 2 \times 7 = 28$



Factors
 $2 \times 5 \times 7 = 70$



Factors
 $2 \times 2 \times 23 = 92$



Factors
 $2 \times 3 \times 5 = 30$

