

Name : _____

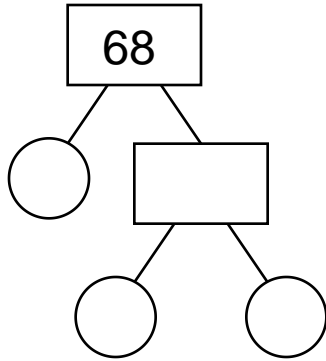
Score : _____

Teacher : _____

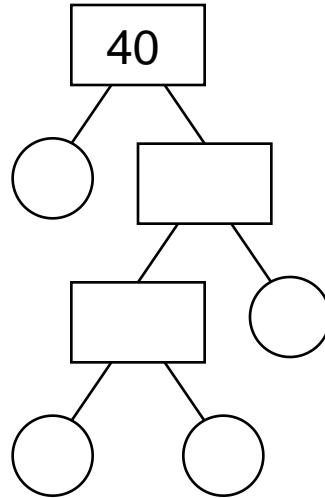
Date : _____

Find the Prime Factors of the Numbers

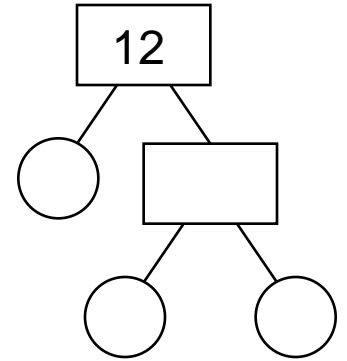
1)



2)



3)



Prime Factors

$$_ \times _ \times _ = 68$$

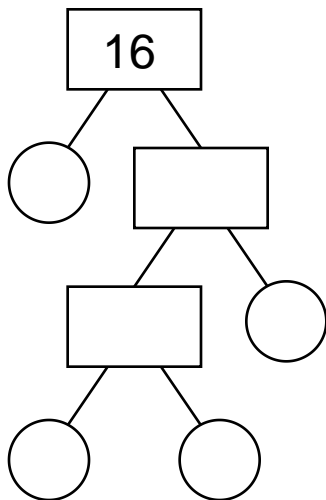
Prime Factors

$$_ \times _ \times _ \times _ = 40$$

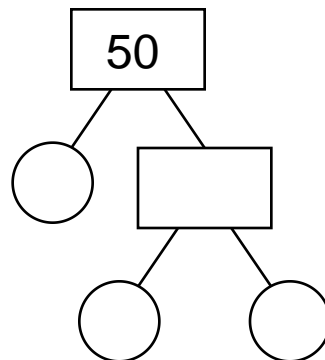
Prime Factors

$$_ \times _ \times _ = 12$$

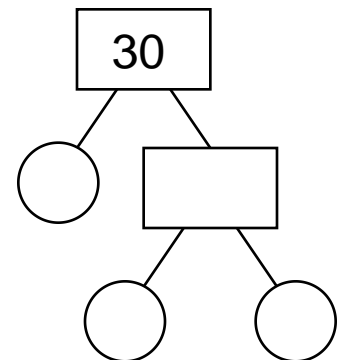
4)



5)



6)



Prime Factors

$$_ \times _ \times _ \times _ = 16$$

Prime Factors

$$_ \times _ \times _ = 50$$

Prime Factors

$$_ \times _ \times _ = 30$$



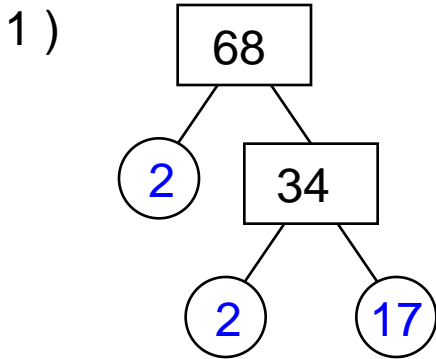
Name : _____

Score : _____

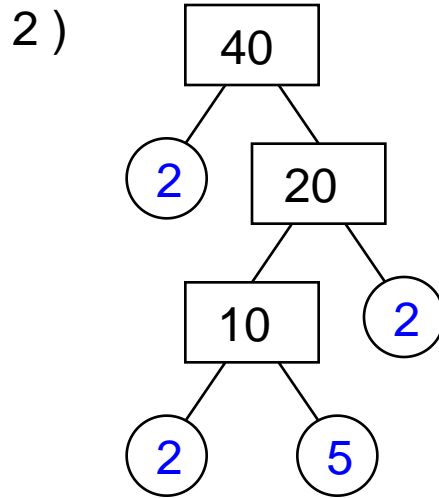
Teacher : _____

Date : _____

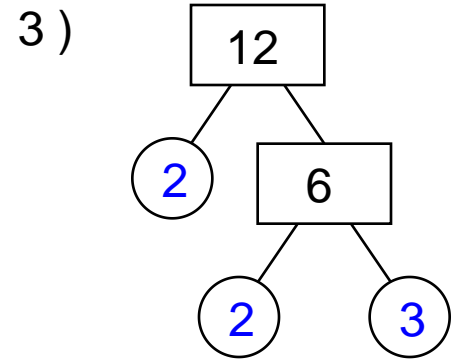
Find the Prime Factors of the Numbers



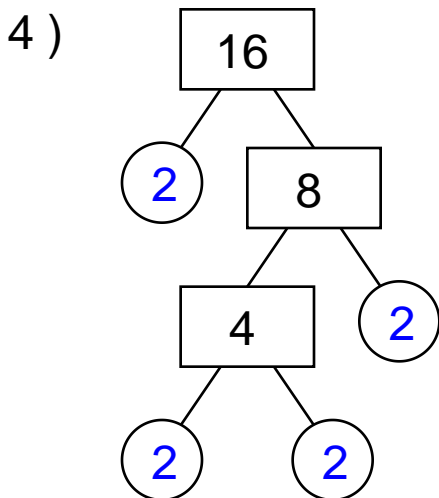
Factors
 $2 \times 2 \times 17 = 68$



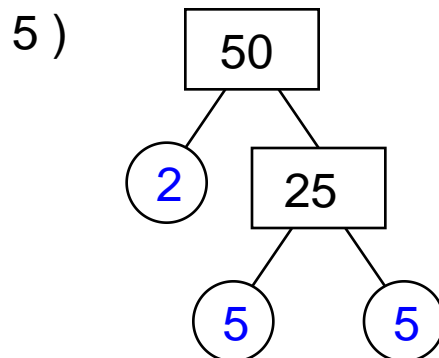
Factors
 $2 \times 2 \times 2 \times 5 = 40$



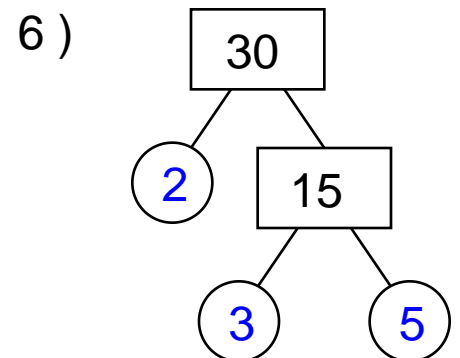
Factors
 $2 \times 2 \times 3 = 12$



Factors
 $2 \times 2 \times 2 \times 2 = 16$



Factors
 $2 \times 5 \times 5 = 50$



Factors
 $2 \times 3 \times 5 = 30$

