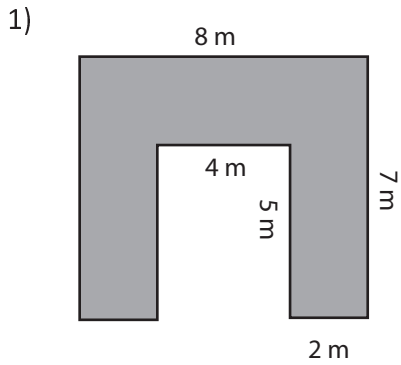
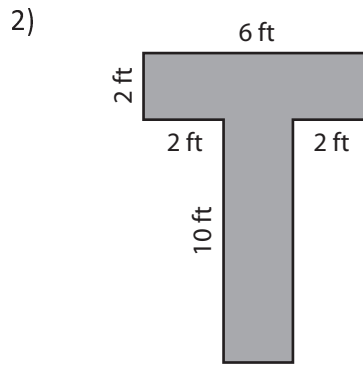


**Area and Perimeter of Paths**

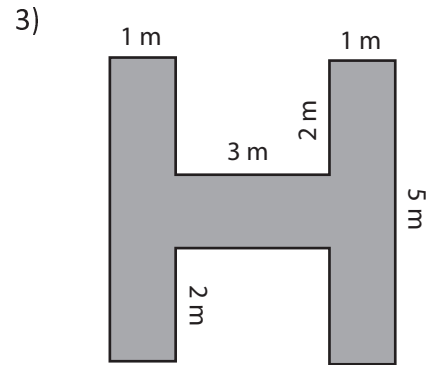
Find the area and perimeter of each shape.



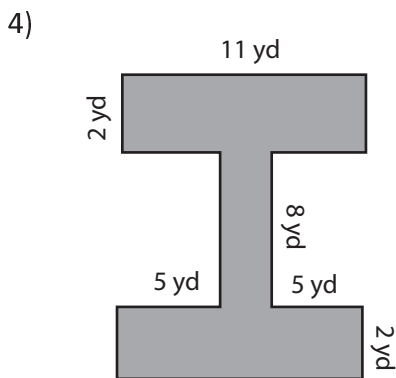
Area: \_\_\_\_\_  
Perimeter: \_\_\_\_\_



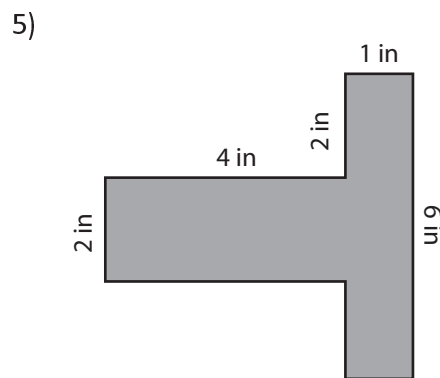
Area: \_\_\_\_\_  
Perimeter: \_\_\_\_\_



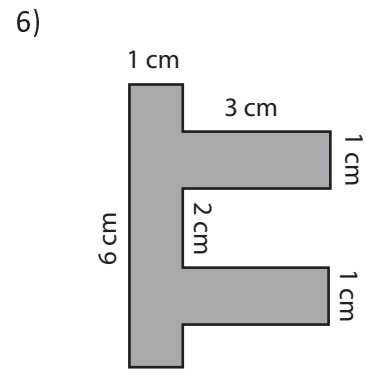
Area: \_\_\_\_\_  
Perimeter: \_\_\_\_\_



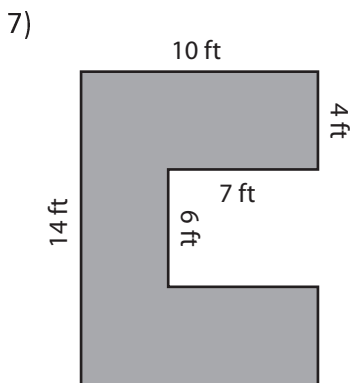
Area: \_\_\_\_\_  
Perimeter: \_\_\_\_\_



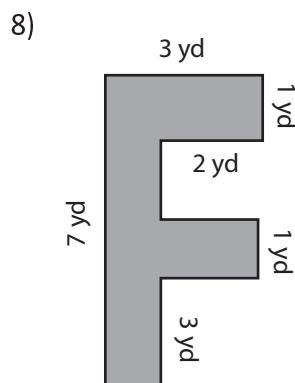
Area: \_\_\_\_\_  
Perimeter: \_\_\_\_\_



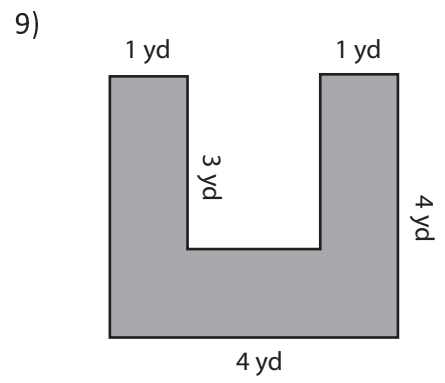
Area: \_\_\_\_\_  
Perimeter: \_\_\_\_\_



Area: \_\_\_\_\_  
Perimeter: \_\_\_\_\_



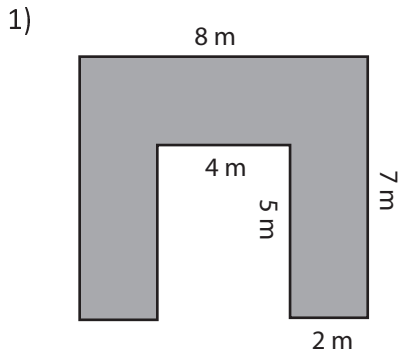
Area: \_\_\_\_\_  
Perimeter: \_\_\_\_\_



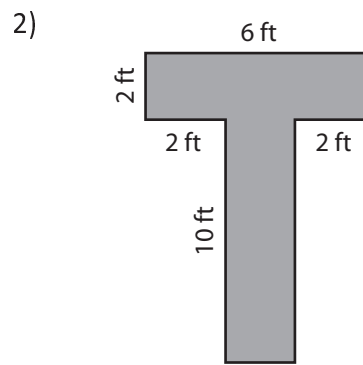
Area: \_\_\_\_\_  
Perimeter: \_\_\_\_\_

**Answer key**

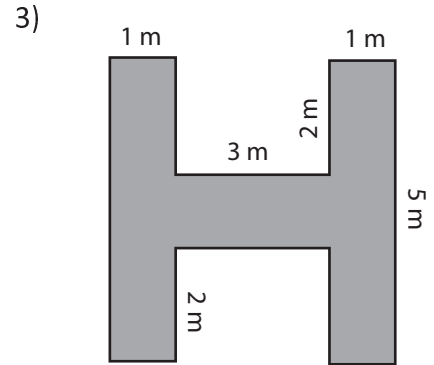
Find the area and perimeter of each shape.



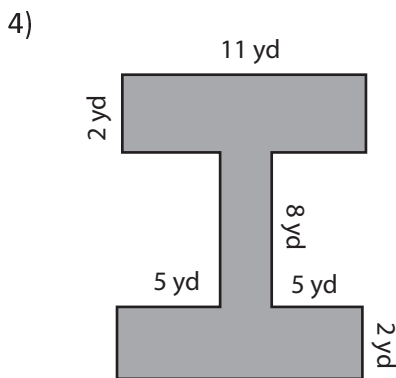
Area:  $36 \text{ m}^2$   
Perimeter:  $40 \text{ m}$



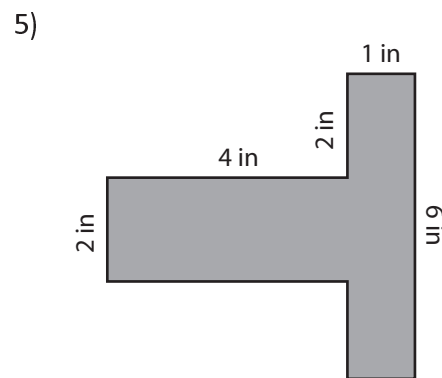
Area:  $32 \text{ ft}^2$   
Perimeter:  $36 \text{ ft}$



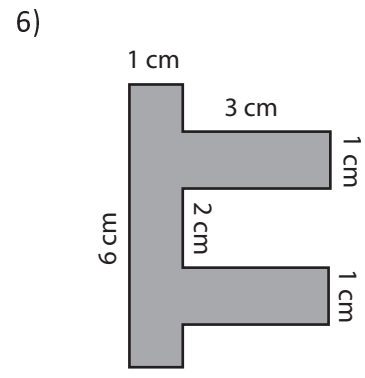
Area:  $13 \text{ m}^2$   
Perimeter:  $28 \text{ m}$



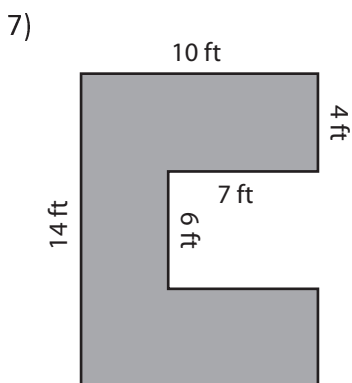
Area:  $52 \text{ yd}^2$   
Perimeter:  $66 \text{ yd}$



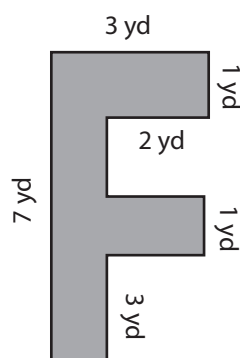
Area:  $14 \text{ in}^2$   
Perimeter:  $22 \text{ in}$



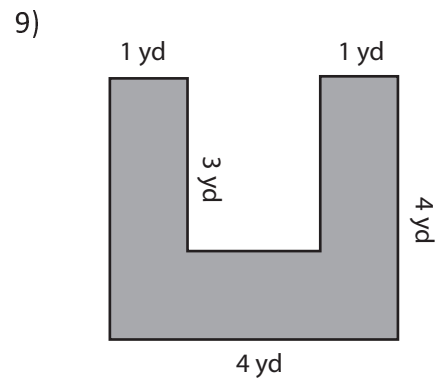
Area:  $12 \text{ cm}^2$   
Perimeter:  $26 \text{ cm}$



Area:  $98 \text{ ft}^2$   
Perimeter:  $62 \text{ ft}$



Area:  $11 \text{ yd}^2$   
Perimeter:  $24 \text{ yd}$



Area:  $10 \text{ yd}^2$   
Perimeter:  $22 \text{ yd}$