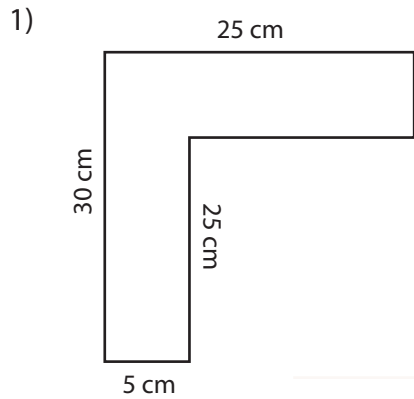
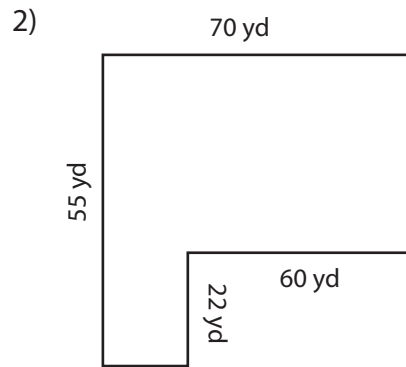


### Area and Perimeter of L Shapes

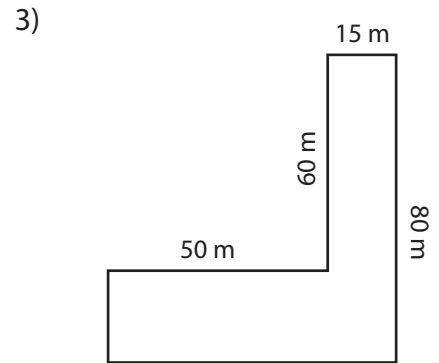
Find the area and perimeter of each shape.



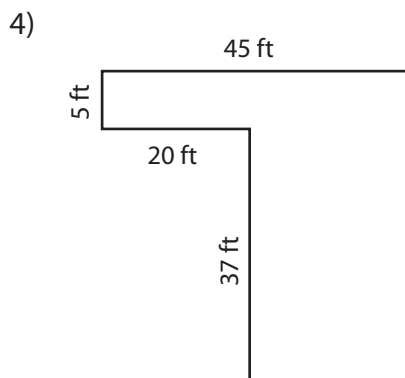
Area: \_\_\_\_\_  
Perimeter: \_\_\_\_\_



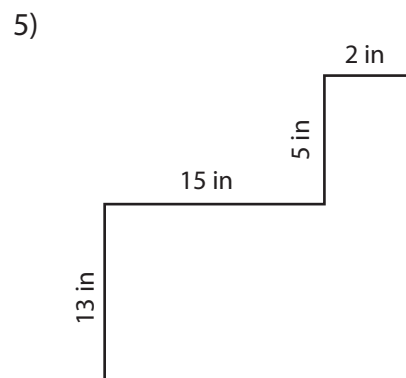
Area: \_\_\_\_\_  
Perimeter: \_\_\_\_\_



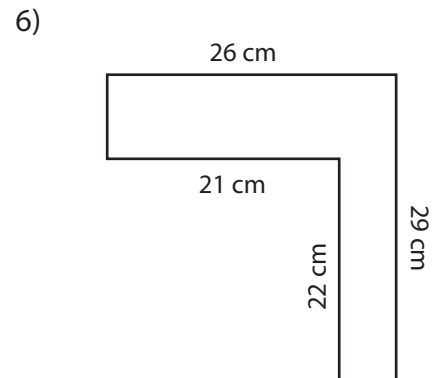
Area: \_\_\_\_\_  
Perimeter: \_\_\_\_\_



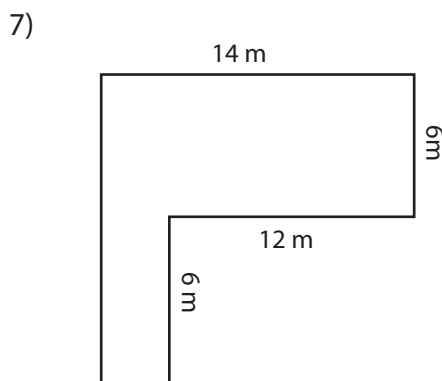
Area: \_\_\_\_\_  
Perimeter: \_\_\_\_\_



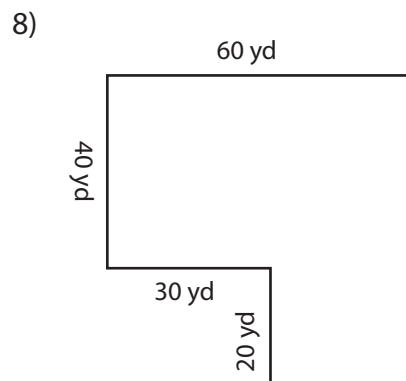
Area: \_\_\_\_\_  
Perimeter: \_\_\_\_\_



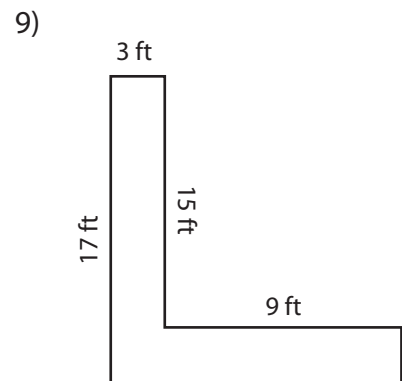
Area: \_\_\_\_\_  
Perimeter: \_\_\_\_\_



Area: \_\_\_\_\_  
Perimeter: \_\_\_\_\_



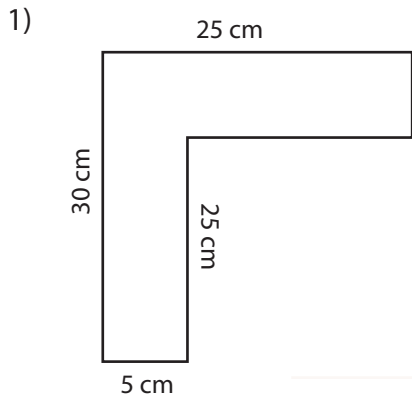
Area: \_\_\_\_\_  
Perimeter: \_\_\_\_\_



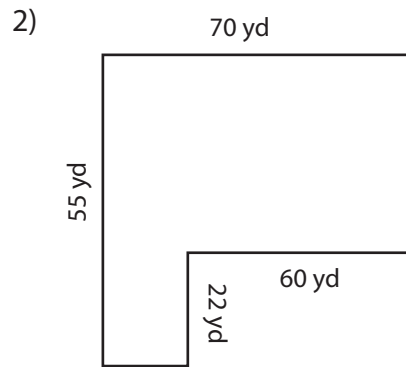
Area: \_\_\_\_\_  
Perimeter: \_\_\_\_\_

**Answer key**

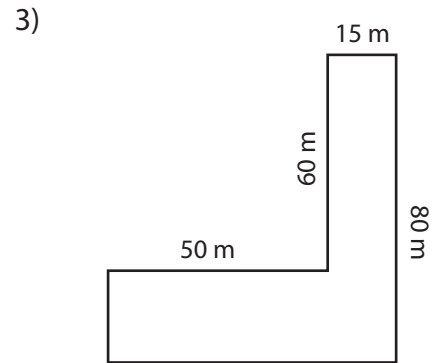
Find the area and perimeter of each shape.



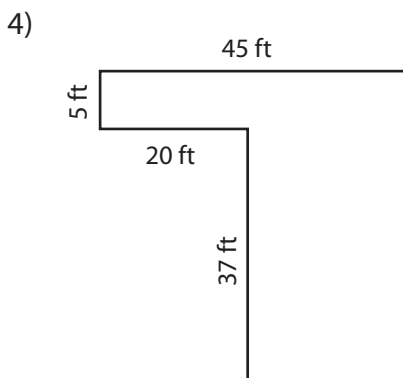
Area: **250 cm<sup>2</sup>**  
 Perimeter: **110 cm**



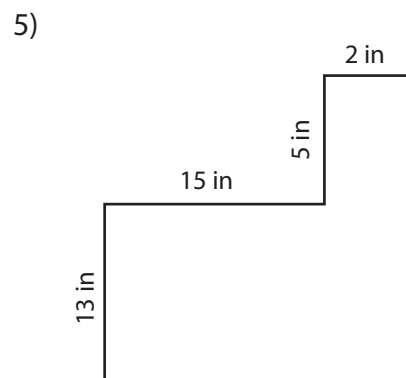
Area: **2530 yd<sup>2</sup>**  
 Perimeter: **250 yd**



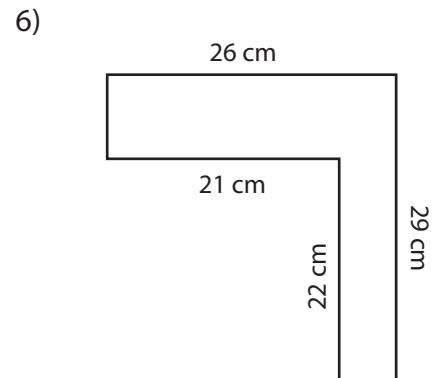
Area: **2200 m<sup>2</sup>**  
 Perimeter: **290 m**



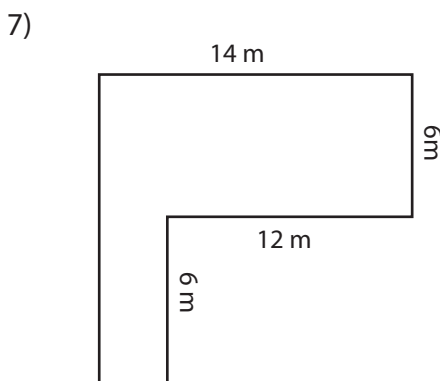
Area: **1150 ft<sup>2</sup>**  
 Perimeter: **174 ft**



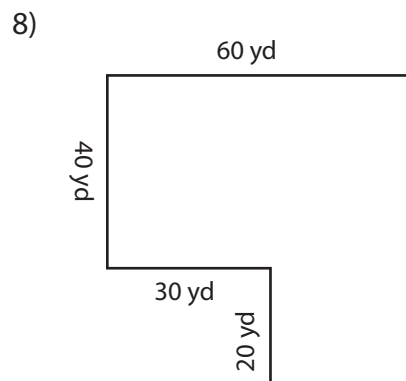
Area: **231 in<sup>2</sup>**  
 Perimeter: **70 in**



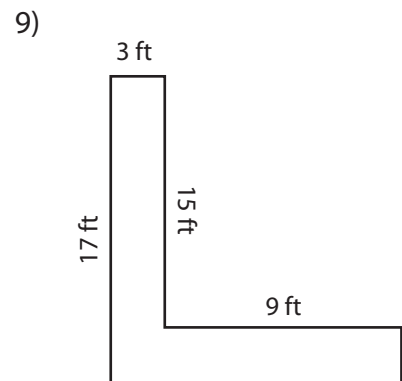
Area: **292 cm<sup>2</sup>**  
 Perimeter: **110 cm**



Area: **96 m<sup>2</sup>**  
 Perimeter: **52 m**



Area: **3000 yd<sup>2</sup>**  
 Perimeter: **240 yd**



Area: **69 ft<sup>2</sup>**  
 Perimeter: **58 ft**